

# ROOFCLAMP

Manufactured by Action Manufacturing, LLC.  
Exclusively Marketed by SnoBlox-Snojax and Riddell & Co. Inc.

## Two Roof Clamp Models That Accommodate Most Panels and Seams

Secure Satellite Dishes or Roof Walks, Conduit or HVAC lines. Attach signs or awnings. The aluminum RoofClamp™ utilizes a Stainless Steel oval tipped screw that does not pierce or penetrate the panel; therefore it will not void the manufacturer warranty. The attachment of the clamp is in one piece instead of two and for extra strength, it has three set screws instead of just one or two. It is fast and easy to install and will last the life of the roof. These two competitively priced models work on most of the same panels as the 9 different clamps that are currently on the market.

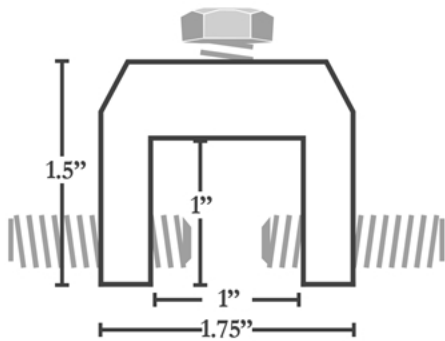
### Attach Metal Roof Accessories

- \* Secure Satellite Dishes or Roof Walks.
- \* Attach conduit or HVAC lines.
- \* Place signs or awnings.
- \* Cupped nose set screws form button lock in seam.
- \* RoofClamp™ will NOT void roof warranty.
- \* No roof penetrations!

### RoofClamp™ Details

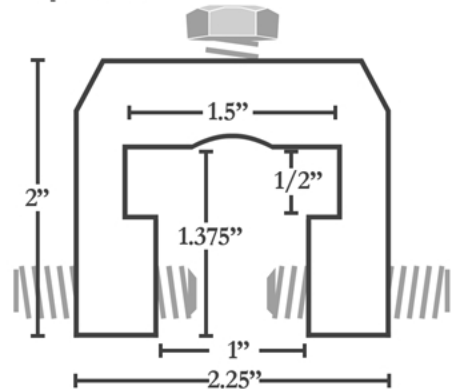
- \* RCT Patent Number: US D629,679
- \* Stainless Steel set screws.
- \* HEAVY DUTY aluminum construction.
- \* Accommodate most seams and beams.
- \* Three 1 1/4" x 3/8" cupped nose set screws.
- \* One 3/8" threaded mounting hole on top.

### RoofClamp™ RC



- \* Interior dimension measures 1" W. x 1" H.
- \* 1.375" Length.

### RoofClamp™ RCT



- \* The RCT can accommodate "T" seams up to 1.5" wide.
- \* Interior dimensions measure 1" W x 1.375" H
- \* .5" H x 1.5" W seam channel.
- \* 1.375" Length.

## RoofClamp RC and RoofClamp RCT Installation Instructions.

1. Position RoofClamp™, finger tighten set screws. Do not attach to roof clip.
  2. Apply downward pressure and then tighten set screws to 85 IN/LBS with torque wrench, beginning with single set screw.
  3. Attach roof accessories to top mounting screw. Tighten adequately.
- \* Verify with the panel manufacturer for the recommended torque settings for the seam. Check all bolts and screws for fastness.



### Contact SnoBlox-Snojax

- \* Toll Free: (800) 766-5291
- \* Phone: (717) 697-1900
- \* Fax: (717) 697-2452
- \* Email: sales@snoblob.com

\* Address: 1405 Brandton Road  
Mechanicsburg, PA 17055

### About SnoBlox-Snojax

Snojax is the originator of polycarbonate snow guards specializing in snow retention products for over 33 years. Our polycarbonate snow guards feature large, forward mounted faces that help prevent the dangerous movement of snow and ice on metal roofs. Our products are field proven and professionally lab tested. We offer the choice of adhesive or mechanical attachment and six models to fit most panels and budgets.